

Anhydrous Solvents

Honeywell Riedel-de Haën™ Anhydrous Solvents

We have developed a range of dried solvents with very low water levels.

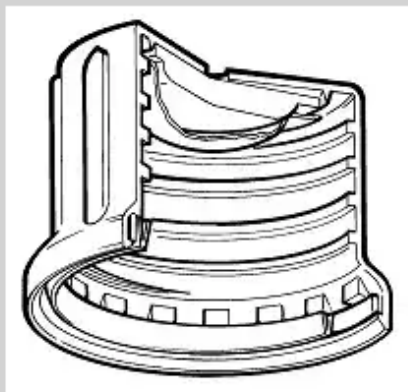
- These solvents are produced to a water specification of less than 75 ppm (<0.0075%).
- Many solvents go well beyond that and are produced to lower than 10 ppm (<0.0010%).
- Packaging steps and materials are designed to retain solvent dryness.
- The water content itself is strictly controlled by coulometric Karl Fischer analysis (see [Hydranal](#) product line) and we print the actual result on every label so that you know how dry these solvents really are.



How we do it

Solvents this dry need a packaging system designed to ensure that the exceptional state of dryness achieved at time of purification is retained throughout storage and use.

Before filling, we first oven-dry the amber glass bottles to remove all traces of water which may be present on the inner walls. At such low levels even this trace moisture is noticeable. The bottles are then filled under an inert atmosphere of dry nitrogen to prevent moisture build-up and sealed with a special cap.



Designed both to retain solvent dryness and purity and to facilitate dispensing, our cap features:

- A double seal; a PTFE* wad and a self-sealing septum.
- The PTFE wad sits between the solvent and the septum thereby maintaining the original chemical purity and giving an extended shelf life before initial use.

The self-sealing septum allows the solvent to be dispensed by syringe at the point of use, but because the cap is screw-on it may also be opened conventionally. However, it is important to note that once in contact with the atmosphere product quality can deteriorate depending on the hygroscopic nature of the solvent